



Image similar

trak | charger HF premium

HF chargers
Efficient and interactive

trak | charger HF premium

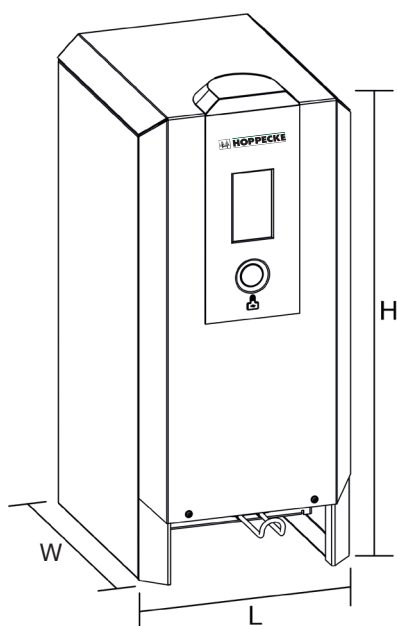
Typical applications:

- Charging of traction batteries in all industrial applications
- Charging batteries from 24 V to 80 V
- Charging batteries from 64 Ah to 1550 Ah

Your benefits:

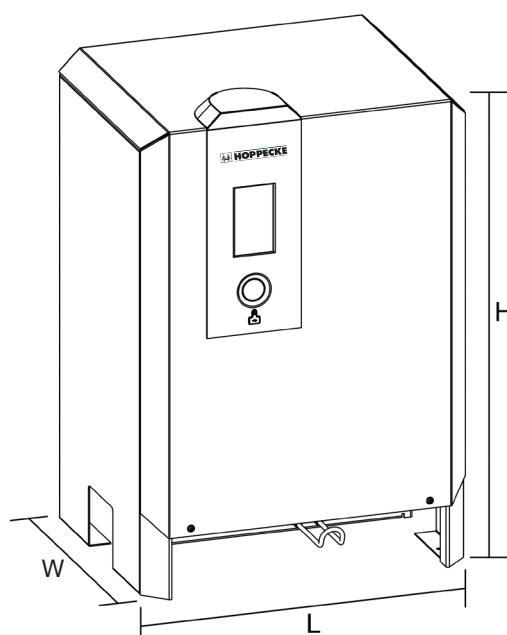
- Automatic charging with high frequency technology irrespective of Depth of Discharge (DOD)
- Optimized life expectancy of the energy storage device
- Modular design of power modules and attachments
- Highest operational safety
- Charging cycles memory of the entire battery life time
- Modern and large display at the charger's front
- The charging status is shown by a 360° statusboard with LEDs on top of the charger

Dimensions



L x W x H [mm]
 308 x 373 x 690

A: Small cubicle



L x W x H [mm]
 471 x 373 x 690

B: Large cubicle

HOPPECKE Batterien GmbH & Co. KG
Bontkirchener Str. 1
59929 Brilon
Tel.: +49 (0) 2963 61-475
Fax: +49 (0) 2963 61-270
E-Mail: motivepower@hoppecke.com

