

Technical data sheet

rail | power AGM

01 General

Design	VRLA - AGM (valve regulated lead acid - absorbent glass mat)
No. of cells/block	6 / 3 / 1 (see table)
Nominal voltage	12V / 6V / 2V (see table)
Nominal capacity (Cn)	See table
End of discharge voltage	1.6V / cell
Electrolyte	Dilute sulphuric acid fixed in a fleece (absorbent glass mat)
Dimensions (LxWxH)	See table
Weight	See table
Case material	PP or ABS (see table)
Pole screws	M8
Screw's tightening torque	20Nm
Valve opening pressure	120mbar
Product test standard	EN 60896-21/22
Shock and vibration test	IEC 61373
Storage temperature	0°C to +40°C, preferably +10°C to +20°C
Operating temperature	-30°C to +60°C <i>Note: temperatures > +20°C decrease service life</i>
Recommended charging	IU0U (Two stage, temperature compensated)
Boost charge voltage at +20°C	2.40V per cell
Float charge voltage at +20°C	2.25V per cell
Temperature compensation	-3mV/K per cell
Recommended charge current	Cn / 5h
Self discharge	<3% per month at ≤+20°C
Service life	Typical 6 years at ≤+20°C in rolling stock

02 Application

- Railway rolling stock auxiliary batteries acc. EN50547
- Special-purpose vehicles
- High speed trains
- Public transport
- Regional trains
- Locomotives

03 Benefits

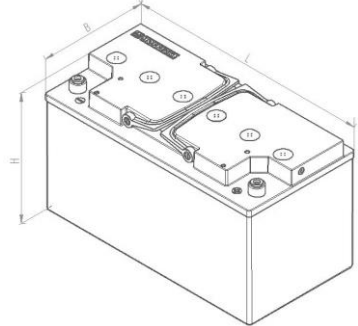
- Maintenance-free regarding water refilling
- Leakproof
- Compact design

04 Type overview

rail | power AGM 12V top terminal

	Voltage [V]	Capacity [Ah]*	Length [mm]	Width [mm]	Height [mm]	Weight [kg]	Case material
12V58	12	58	267	177	190	23	PP
12V78	12	78	342	177	190	31	PP
12V115	12	115	344	170	275	46	PP

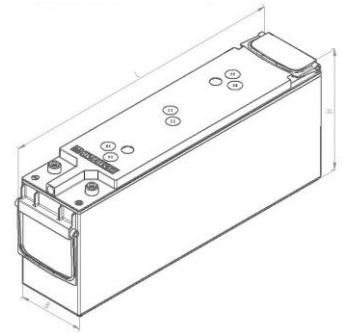
*C5 at 20°C final discharge voltage 1.6V/cell



rail | power AGM 12V front terminal

	Voltage [V]	Capacity [Ah]*	Length [mm]	Width [mm]	Height [mm]	Weight [kg]	Case material
12V100	12	100	541	125	217	38.5	ABS
12V130	12	130	541	125	302	58.4	ABS
12V150	12	150	541	125	302	59.7	ABS
12V170	12	170	541	125	302	61.1	ABS

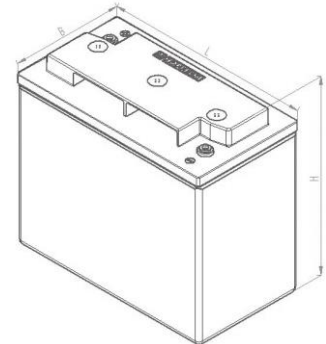
*C5 at 20°C final discharge voltage 1.6V/cell



rail | power AGM 6V

	Voltage [V]	Capacity [Ah]*	Length [mm]	Width [mm]	Height [mm]	Weight [kg]	Case material
6V170	6	170	242	170	275	32	PP
6V220	6	220	308	170	275	41	PP

*C5 at 20°C final discharge voltage 1.6V/cell



rail | power AGM 2V

	Voltage [V]	Capacity [Ah]*	Length [mm]	Width [mm]	Height [mm]	Weight [kg]	Case material
2V220	2	220	183	90	310	14.4	ABS
2V308	2	308	183	129	310	21.7	ABS
2V375	2	375	183	155	310	25	ABS

*C5 at 20°C final discharge voltage 1.6V/cell

